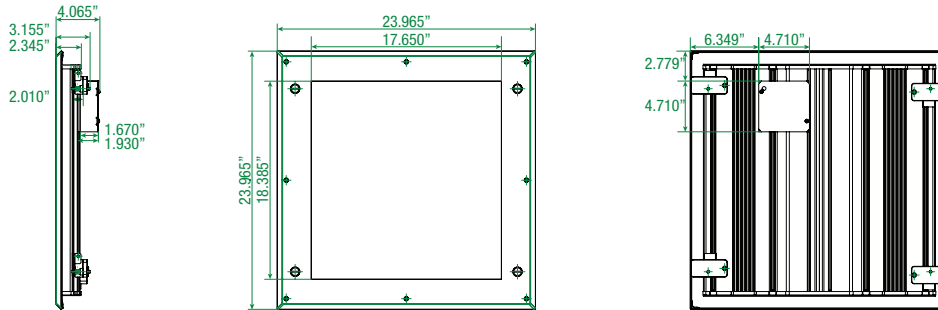
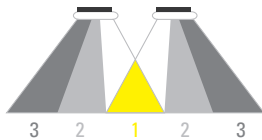


DIMENSIONAL DATA – Housing requires a ceiling cutout of 21.75" x 21.75"



PHOTOMETRICS

Height of Room	9.000 ft
Mounting Height	9.000 ft
Light Loss Factor	0.80
Reflectances	80/50/20
Maintenance Factor	80%



ZONE	Footcandles
1	200 – 300
2	100 – 125
3	40 – 60

37	55	106	164	205	189	127	76	42
42	64	131	207	255	238	158	92	50
44	69	140	218	263	247	171	99	53
47	73	145	218	254	245	175	104	56
48	74	146	214	246	238	174	105	57
48	74	145	213	243	235	174	105	57
48	74	146	213	245	236	173	105	57
46	71	143	215	252	241	173	102	55
44	68	139	217	261	246	169	99	53
40	61	124	194	243	225	150	87	47
37	54	102	158	197	182	122	75	43
30	42	74	106	130	121	84	56	35s

SPECIFICATIONS

Housing: Low-profile (2.0") extruded aluminum housing with die-cast aluminum end caps. Extrusion profile produces internal heat sink and external heat fins to conduct/dissipate heat away from LED junction point to the housing exterior.

Lens Frame: One-piece, deep-draw fabricated Type 304 or Type 316 stainless steel lens frame free of surface welding. 60° beveled edge produces a progressive surface with the ceiling.

Optics: Edge lit LED optics. Light guide panel provides even facial illuminates and eliminates glare. Available in 3500K, 4000K, 5000K and Green.

Electrical: 100-277 VAC integral high efficiency driver and power supply (>0.90 power factor). Dimmable (0-10V) 1100 Lumens Flash 90-minute battery back-up (regular and Class I, Division 2).

Installation: Hermetically sealed wire-way with integral junction box – back of housing. Integral J-Box for all other applications – see Dimensional Data. Designed for universal installation – 2.0 T-Bar grid, modular ceiling panel (2"-3") and stick-built gypsum ceilings. Wiring and installation does not require removal of lens frame.

Listings, Ratings, Certifications and Protocols:
IIP66 (IEC60598); NSF2/Splash Zone; MIL STD 461F Air Force/ Navy fixed (RE and CE); LM79; LM80. Optional Hazardous Locations (Class I, Division 2).

ORDERING INFORMATION

SERIES	LIGHT ENGINE	COLOR TEMP.	VOLTAGE	HOUSING	LENS FRAME	LENS	BACKUP	OPTIONS
ORF22			UV	HAL				
ORF22= orLED recessed flange or 2.0" T-bar grid 2x2	S1=55 W/ 5,000 lm M1=80 W/ 7,500 lm H1=110 W/ 10,000 lm	W=3,500K N=4,000K C=5,000K G=Green	UV= Universal Voltage (100-277 VAC)	HAL= Extruded aluminum with die-cast end caps	LFSS304= 18-gauge Type 304 Stainless Steel LFSS316= 18-gauge Type 316 Stainless Steel	CIA= .125" Clear Impact Acrylic	NB= No Backup IBB= Integral Battery Back-up	C1D2= Class I, Div 2 JB= Joiner Band for Row Mount

PROJECT INFORMATION

Project Name/Location _____

Fixture Type _____

Fixture Quantity _____

Catalog Number _____