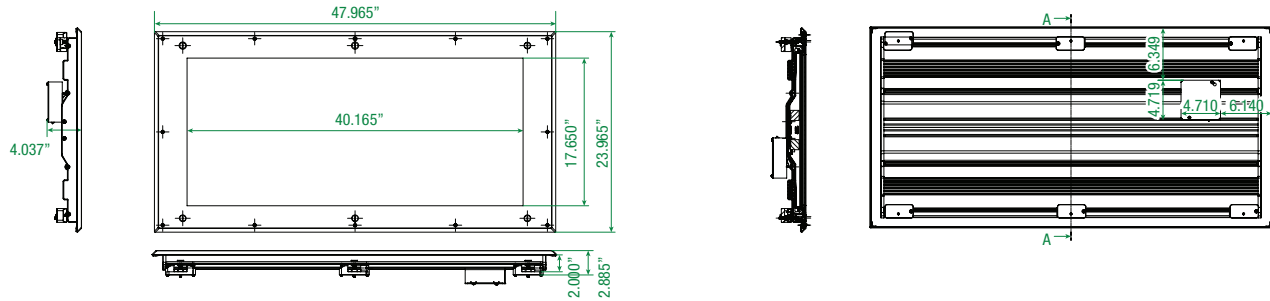
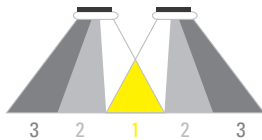


**DIMENSIONAL DATA** – Housing requires a ceiling cutout of 21.75" x 45.75"



**PHOTOMETRICS**

Height of Room	9.000 ft
Mounting Height	9.000 ft
Light Loss Factor	0.80
Reflectances	90/60/20
Maintenance Factor	.9LLF



ZONE	Footcandles
1	200 – 300
2	100 – 125
3	40 – 60

48	62	76	93	102	110	113	112	109	100	87	70	60
54	72	91	115	128	139	142	141	138	125	107	84	70
59	81	104	133	149	163	167	165	161	145	124	95	77
69	98	129	169	192	209	213	212	206	185	158	117	92
75	109	145	192	219	239	245	243	236	211	179	131	102
83	124	168	225	259	283	289	288	279	248	209	150	114
88	133	181	244	281	308	315	313	304	270	227	162	122
95	145	197	267	308	337	344	343	332	295	248	176	132
98	150	205	277	320	351	358	356	345	307	257	183	136
100	154	210	286	330	362	369	367	356	316	265	187	140
101	154	212	287	333	364	372	370	358	318	266	189	141
100	153	209	284	328	359	367	365	354	314	263	186	139
97	149	204	277	320	351	358	356	345	307	257	182	136
93	141	193	262	302	330	337	335	325	289	243	172	129
89	134	182	246	283	310	316	315	305	272	228	163	123
80	119	160	215	247	269	275	274	266	237	199	143	109
74	108	144	191	219	239	244	243	236	211	178	129	100
65	91	119	156	177	192	196	195	190	170	145	108	86
59	80	103	132	149	162	165	164	160	144	124	94	76
49	64	100	100	111	120	123	122	119	108	93	74	62
43	55	83	83	92	99	101	101	98	90	78	63	54
38	47	66	66	71	76	78	78	76	70	62	52	46

**SPECIFICATIONS**

**Housing:** Low-profile (2.0") extruded aluminum housing with die-cast aluminum end caps. Extrusion profile produces internal heat sink and external heat fins to conduct/dissipate heat away from LED junction point to the housing exterior.

**Lens Frame:** One-piece, deep-draw fabricated Type 304 or Type 316 stainless steel lens frame free of surface welding. 60° beveled edge produces a progressive surface with the ceiling.

**Optics:** Edge lit LED optics. Light guide panel provides even facial illuminates and eliminates glare. Available in 3500K, 4000K, 5000K and Green. >90CRI.

**Electrical:** 100-277 VAC integral high efficiency driver and power supply (>0.90 power factor). Dimmable (0-10V) 1100 Lumens Flash 90-minute battery back-up (regular and Class I, Division 2).

**Installation:** Hermetically sealed wire-way with integral junction box – back of housing. Integral J-Box for all other applications – see Dimensional Data. Designed for universal installation – 2.0 T-Bar grid, modular ceiling panel (2"-3") and stick-built gypsum ceilings. Wiring and installation does not require removal of lens frame.

**Listings, Ratings, Certifications and Protocols:** IIP66 (IEC60598); NSF2/Splash Zone; MIL STD 461F Air Force/ Navy fixed (RE and CE); LM79; LM80. Optional Hazardous Locations (Class I, Division 2).

**ORDERING INFORMATION**

SERIES	LIGHT ENGINE	COLOR TEMP.	VOLTAGE	HOUSING	LENS FRAME	LENS	BACKUP	OPTIONS
ORF24			UV	HAL				
ORF24= orLED recessed flange or 2.0" T-bar grid 2x4	S1=55 W/ 5,000 lm M1=80 W/ 7,500 lm H1=110 W/ 10,000 lm VH1=165 W/ 15,000 lm	W=3,500K N=4,000K C=5,000K G=Green	UV= Universal Voltage (100-277 VAC)	HAL= Extruded aluminum with die-cast end caps	LFSS304= 18-gauge Type 304 Stainless Steel LFSS316= 18-gauge Type 316 Stainless Steel	CIA= .125" Clear Impact Acrylic	NB= No Backup IBB= Integral Battery Back-up	C1D2= Class I, Div 2 JB= Joinder Band for Row Mount

**PROJECT INFORMATION**

Project Name/Location \_\_\_\_\_

Fixture Type \_\_\_\_\_

Fixture Quantity \_\_\_\_\_

Catalog Number \_\_\_\_\_