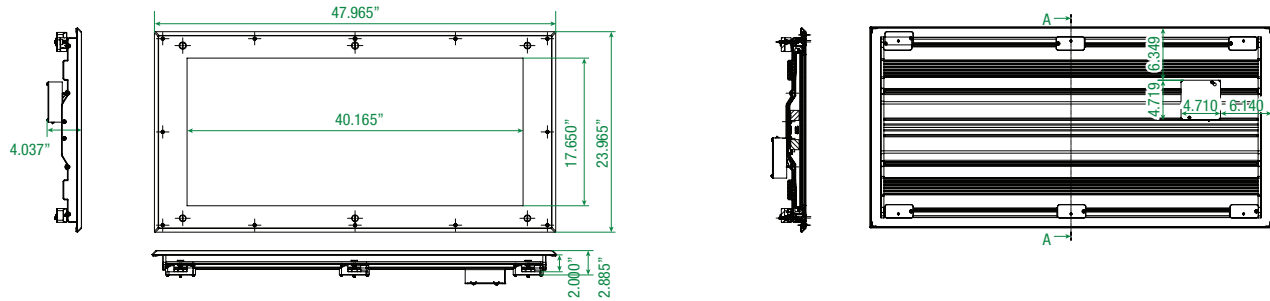
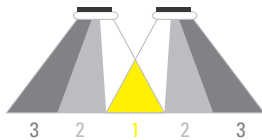


**DIMENSIONAL DATA** – Housing requires a ceiling cutout of 21.75" x 45.75"



**PHOTOMETRICS**

Height of Room	9.000 ft
Mounting Height	9.000 ft
Light Loss Factor	0.80
Reflectances	90/60/20
Maintenance Factor	.9LLF



ZONE	Footcandles
1	200 – 300
2	100 – 125
3	40 – 60

74	104	136	176	199	216	221	220	214	193	163	123	98
79	112	148	195	221	241	247	245	239	214	181	134	105
89	128	171	227	258	282	288	286	278	249	210	154	120
93	136	182	242	276	302	308	307	298	267	224	164	127
98	145	195	260	297	325	332	330	321	286	240	175	134
102	150	202	269	308	336	344	342	332	296	249	181	139
107	157	211	281	322	351	359	357	347	310	260	190	145
109	160	215	287	328	358	366	364	353	315	265	193	148
110	162	217	289	331	362	370	368	356	318	267	195	150
111	163	219	291	333	363	372	370	359	320	269	196	151
111	163	220	292	334	365	373	371	360	322	270	197	152
111	163	219	291	333	364	372	370	359	321	269	196	151
110	162	218	290	331	362	370	368	357	319	268	195	150
109	160	215	287	328	358	366	364	353	315	265	193	148
105	155	208	277	331	347	355	353	342	305	256	186	143
102	150	203	270	328	338	345	343	333	297	250	182	139
98	144	193	257	317	321	328	326	317	283	238	173	133
94	137	184	244	309	305	311	310	301	269	226	165	127
85	123	164	217	294	270	276	274	266	238	201	148	115
79	113	150	197	279	245	250	249	242	217	183	136	106
72	99	128	166	247	203	207	206	201	181	154	117	94
66	89	113	144	224	175	179	178	173	157	134	103	85

**SPECIFICATIONS**

**Housing:** Low-profile (2.0") extruded aluminum housing with die-cast aluminum end caps. Extrusion profile produces internal heat sink and external heat fins to conduct/dissipate heat away from LED junction point to the housing exterior.

**Lens Frame:** One-piece, deep-draw fabricated Type 304 or Type 316 stainless steel lens frame free of surface welding. 60° beveled edge produces a progressive surface with the ceiling.

**Optics:** Edge lit LED optics. Light guide panel provides even facial illuminates and eliminates glare. Available in 3500K, 4000K, 5000K and Green. >90CRI.

**Electrical:** 100-277 VAC integral high efficiency driver and power supply (>0.90 power factor). Dimmable (0-10V) 1100 Lumens Flash 90-minute battery back-up (regular and Class I, Division 2).

**Installation:** Hermetically sealed wire-way with integral junction box – back of housing. Integral J-Box for all other applications – see Dimensional Data. Designed for universal installation – 2.0 T-Bar grid, modular ceiling panel (2"-3") and stick-built gypsum ceilings. Wiring and installation does not require removal of lens frame.

**Listings, Ratings, Certifications and Protocols:**  
IIP66 (IEC60598); NSF2/Splash Zone; MIL STD 461F Air Force/ Navy fixed (RE and CE); LM79; LM80. Optional Hazardous Locations (Class I, Division 2).

**ORDERING INFORMATION**

SERIES	LIGHT ENGINE	COLOR TEMP.	VOLTAGE	HOUSING	LENS FRAME	LENS	BACKUP	OPTIONS
ORF24			UV	HAL				
ORF24= orLED recessed flange or 2.0" T-bar grid 2x4	S1=55 W/ 5,000 lm M1=80 W/ 7,500 lm H1=110 W/ 10,000 lm VH1=165 W/ 15,000 lm	W=3,500K N=4,000K C=5,000K G=Green	UV= Universal Voltage (100-277 VAC)	HAL= Extruded aluminum with die-cast end caps	LFSS304= 18-gauge Type 304 Stainless Steel LFSS316= 18-gauge Type 316 Stainless Steel	CIA= .125" Clear Impact Acrylic	NB= No Backup IBB= Integral Battery Back-up	C1D2= Class I, Div 2 JB= Joiner Band for Row Mount

**PROJECT INFORMATION**

Project Name/Location \_\_\_\_\_

Fixture Type \_\_\_\_\_

Fixture Quantity \_\_\_\_\_

Catalog Number \_\_\_\_\_