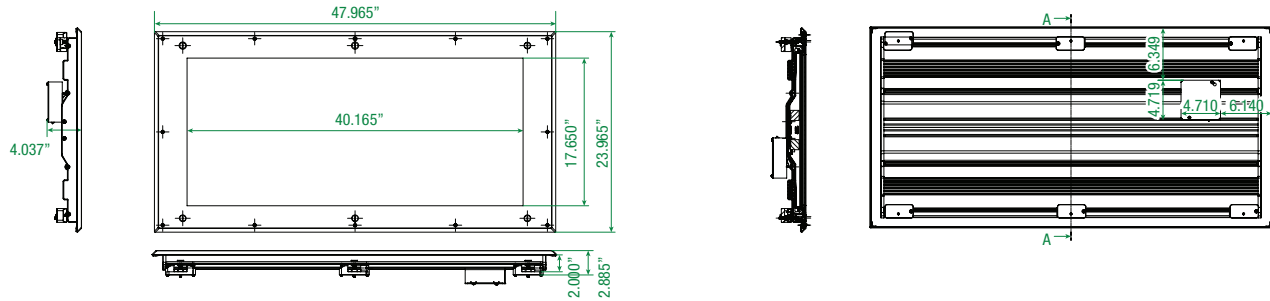
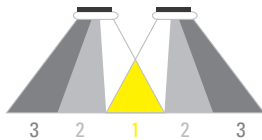


DIMENSIONAL DATA – Housing requires a ceiling cutout of 21.75" x 45.75"



PHOTOMETRICS

Height of Room	9.000 ft
Mounting Height	9.000 ft
Light Loss Factor	0.80
Reflectances	80/50/20
Maintenance Factor	80%



ZONE	Footcandles
1	200 – 300
2	100 – 125
3	40 – 60

38	57	110	176	215	199	136	78	44
43	67	133	271	262	243	167	92	51
45	73	144	230	272	256	189	100	54
48	76	149	230	264	252	184	194	58
49	77	149	225	254	255	182	105	58
49	78	149	224	252	243	182	105	59
48	77	150	226	256	245	183	105	58
47	75	147	228	262	249	181	102	56
45	72	143	229	271	254	179	99	54
41	64	128	208	253	234	161	88	49
38	56	104	166	202	187	129	75	44
31	45	78	115	139	130	93	59	36

SPECIFICATIONS

Housing: Low-profile (2.0") extruded aluminum housing with die-cast aluminum end caps. Extrusion profile produces internal heat sink and external heat fins to conduct/dissipate heat away from LED junction point to the housing exterior.

Lens Frame: One-piece, deep-draw fabricated Type 304 or Type 316 stainless steel lens frame free of surface welding. 60° beveled edge produces a progressive surface with the ceiling.

Optics: Edge lit LED optics. Light guide panel provides even facial illuminates and eliminates glare. Available in 3500K, 4000K, 5000K and Green.

Electrical: 100-277 VAC integral high efficiency driver and power supply (>0.90 power factor). Dimmable (0-10V) 1100 Lumens Flash 90-minute battery back-up (regular and Class I, Division 2).

Installation: Hermetically sealed wire-way with integral junction box – back of housing. Integral J-Box for all other applications – see Dimensional Data. Designed for universal installation – 2.0 T-Bar grid, modular ceiling panel (2"-3") and stick-built gypsum ceilings. Wiring and installation does not require removal of lens frame.

Listings, Ratings, Certifications and Protocols:
IIP66 (IEC60598); NSF2/Splash Zone; MIL STD 461F Air Force/ Navy fixed (RE and CE); LM79; LM80. Optional Hazardous Locations (Class I, Division 2).

ORDERING INFORMATION

SERIES	LIGHT ENGINE	COLOR TEMP.	VOLTAGE	HOUSING	LENS FRAME	LENS	BACKUP	OPTIONS
ORF24			UV	HAL				
ORF24= orLED recessed flange or 2.0" T-bar grid 2x4	S1=55 W/ 5,000 lm M1=80 W/ 7,500 lm H1=110 W/ 10,000 lm	W=3,500K N=4,000K C=5,000K G=Green	UV= Universal Voltage (100-277 VAC)	HAL= Extruded aluminum with die-cast end caps	LFSS304= 18-gauge Type 304 Stainless Steel LFSS316= 18-gauge Type 316 Stainless Steel	CIA= .125" Clear Impact Acrylic	NB= No Backup IBB= Integral Battery Back-up	C1D2= Class I, Div 2 JB= Joiner Band for Row Mount

PROJECT INFORMATION

Project Name/Location _____

Fixture Type _____

Fixture Quantity _____

Catalog Number _____