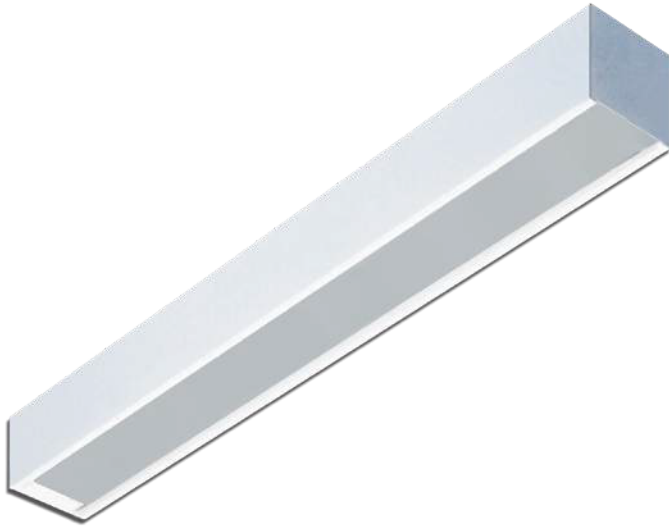


The 4x4 series is a premium LED luminaire ideal for perimeters, soffits, coves or other commercial applications where modern lighting may be utilized in grid, sheet-rock or concealed-z ceilings.

44L-F / 44L-SG / 44L-G

4x4 LED



Features and Specifications:

Construction:

- Durable steel body formed from code gauge cold rolled steel and welded together for strength and uniformity
- Full wireway front is die formed for durability and attaches easily with screws Ample knockouts are provided on back and ends for convenient installation and continuous through wiring
- Frosted acrylic LED formulation diffuser
- Easy "lift-and-shift" design for lamping and maintenance
- 44LF is supplied with lugs and adjustable end flange trims
- 44LG and 44LSG are supplied with integral grid clips to ensure a proper fit

Size Options:

- Available in 2', 4', 6' and 8' lengths (nominal)

Listing & Ratings:

- All electrical components are U.L. listed or recognized
- All fixtures are U.L. Certified and Union made in the USA
- Meets Buy America Act (BAA), BABA Compliant

Mounting Options:

- Recessed flanged or grid mount

Driver:

- Universal voltage 120-277V standard
- Custom driver tuning available for specific lumen requirements
- 0-10V or Lutron dimming optional

Warranty:

- 5 years - part replacement only (see our terms & conditions page at www.lamarled.com for details)

See page 2 for lumen chart & dimensions

Ordering Guide / Example

44L48GMFA-40

44L						
Series	Size	Mounting Options	Power	Lens Options	CCT	General Options
44L = 4x4	24 = 2' nominal 48 = 4' nominal 72 = 6' nominal 96 = 8' nominal	F = Flanged for finished ceiling, sheetrock, plaster, concealed "Z" G = T-bar or grid ceiling SG = Slot grid T-bar ceiling	L = Low M = Medium H = High	FA = Frosted acrylic (LED formulation) BLANK = Leave blank for none	30 = 3000K 35 = 3500K 40 = 4000K 50 = 5000K	EM = Emergency pack >90 min., >500 lumens (higher output & run time available - consult factory) EMB = BABA Compliant Emergency pack >90 min., >500 lumens D = 0-10V dimming to 1% DTD = 0-10V Dim to Dark LDH = Lutron EcoSystem Hi-lume digital 1% w/Fade to Black MX1 or MX2 = 2-wire 120V or 277V 5% phase cut dimming AWNRR = Lutron Athena wireless node integral fixture control (RF only) AWNS = Lutron Athena wireless node integral fixture control (RF with daylight and occupancy sensing)

Consult factory for additional options not shown or listed

Correlated Color Temperatures (CCTs) fall within the nominal range as per ANSI C78.377A

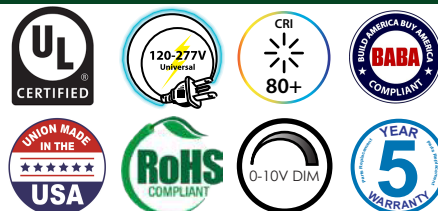
Project Information:

Job Name: _____ Fixture Type: _____

Catalog #: _____ Date: _____

Comments: _____

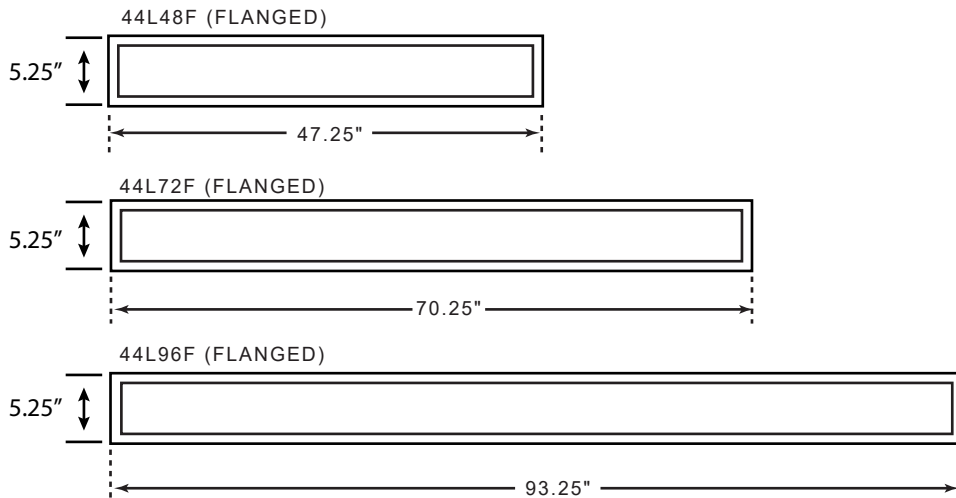
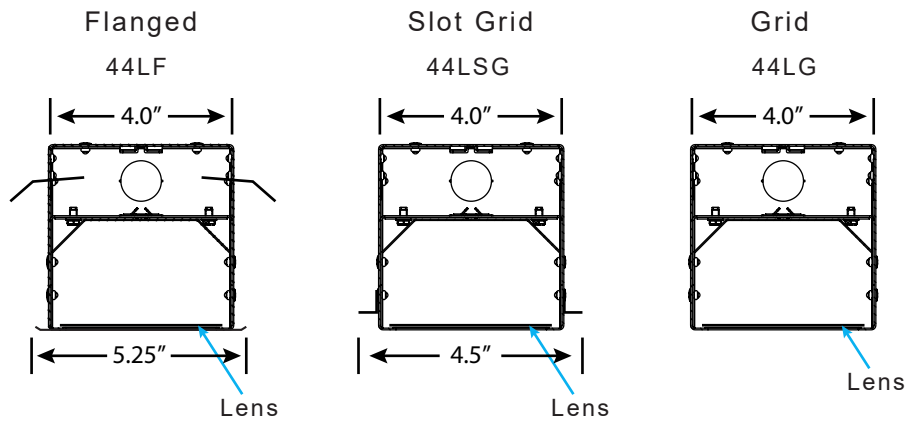
Certification & Listings:



BEFORE INSTALLATION, PLEASE CONSULT YOUR LOCAL ORDINANCES AND BUILDING CODES FOR COMPLIANCE

Dimensions

END VIEW



Lumen Chart - FA Lens - 3000K

	Low	Medium	High
2'	12W - 1318 lu	17W - 1725 lu	27W - 2480 lu
4'	24W - 2635 lu	33W - 3444 lu	54W - 4961 lu

LAMAR LED assumes no responsibility for misapplication of fixtures
Due to the rapid advancements in LED technology, please consult our website for the most current technical data.

Specifications subject to change without notice - Rev 0724