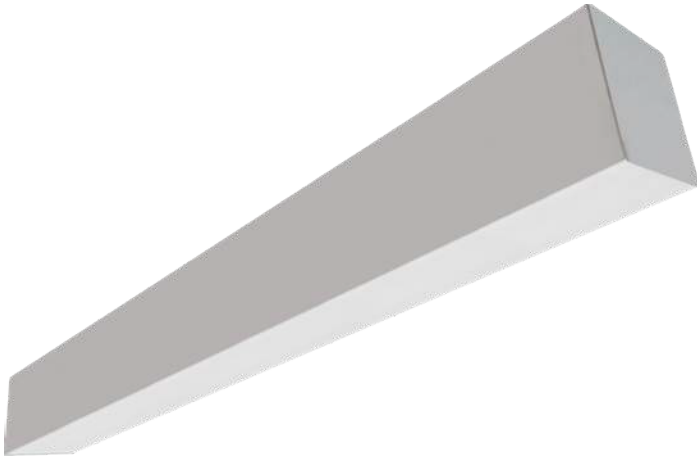




At only 4" wide, the 44LWD fits discretely into many architectural applications. It is suitable for continuous runs and offers a clean, unbroken look.

44LWD 4x4 linear wall



Features and Specifications:

Construction:

- Custom extruded diffuser offers high light transmission with excellent LED diffusion, optional Crossblade Louver
- Precision fabricated steel housings are an economic alternative to extruded aluminum
- May be inverted for Indirect Lighting (no visible hardware)

Size Options:

- Available in 2', 3', 4', 6' and 8' lengths (nominal)

Listing & Ratings:

- All electrical components are U.L. listed or recognized
- All fixtures are U.L. Certified and Union made in the USA
- Meets Buy America Act (BAA), BABA Compliant

Mounting Options:

- Wall mount

Driver:

- Universal voltage 120-277V standard
- Custom driver tuning available for specific lumen requirements
- 0-10V or Lutron dimming optional

Warranty:

- 5 years - part replacement only (see our terms & conditions page at www.lamarled.com for details)

See page 2 for lumen chart & dimensions

Ordering Guide / Example

44LWD48M-40D

44LWD					
Series	Size	Power	CCT	General Options	Run Configuration
44LWD = Direct wall	24 = 2' nominal 36 = 3' nominal 48 = 4' nominal 72 = 6' nominal 96 = 8' nominal	L = Low M = Medium H = High	30 = 3000K 35 = 3500K 40 = 4000K 50 = 5000K	CBL = Crossblade Louver (in lieu of std. diffuser) EM = Emergency pack >90 min., >500 lumens (higher output & run time available - consult factory - 3'-8' only) EMB = BABA Compliant Emergency pack >90 min., >500 lumens BLK = Black metal construction D = 0-10V dimming to 1% (standard) DTD = 0-10V Dim to Dark LDH = Lutron EcoSystem Hi-lume digital 1% w/Fade to Black MX1 or MX2 = 2-wire 120V or 277V 5% phase cut dimming	Blank = Individual BOR = Beginning of run (6' & 8' only) EOR = End of run (2'-8') INT = Intermediate (6' & 8' only)

Consult factory for additional options not shown or listed
 Feed through wiring is included for continuous run models (BOR, INT and EOR)

Correlated Color Temperatures (CCTs) fall within the nominal range as per ANSI C78.377A

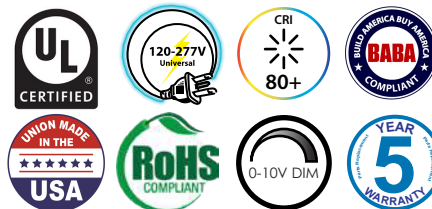
Project Information:

Job Name: _____ Fixture Type: _____

Catalog #: _____ Date: _____

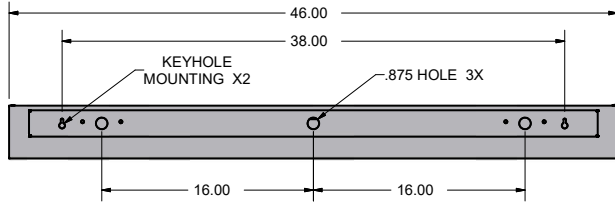
Comments: _____

Certification & Listings:

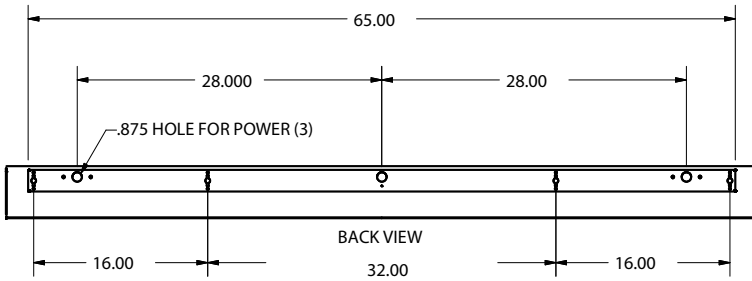
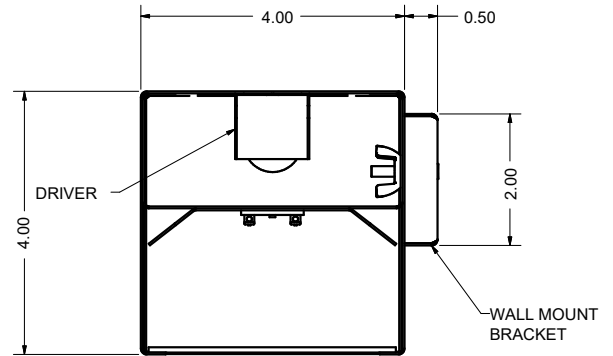


BEFORE INSTALLATION, PLEASE CONSULT YOUR LOCAL ORDINANCES AND BUILDING CODES FOR COMPLIANCE

Dimensions



44LWD48



44LWD72

44LWD Length Chart

Size	
2'	23.125"
4'	46"
6'	69"
8'	92"

LED Lumen/Wattage Chart - 4000K

44LWD 4'

Low	Medium	High
24W	33W	51W
2635 Lu	3444 Lu	4961 Lu

Lumen Multipliers

3000K	.95
3500K	.97
5000K	1.03