



The CNLF wall/corner mount LED luminaire is designed for spaces needing adequate illumination with limited ceiling height. It is perfect for soffits, coves, valances or backlighting.

CNLF corner mount LED



Features and Specifications:

Construction:

- Durable steel body manufactured from code gauge steel
- Custom frosted polycarbonate extruded diffuser offers high light transmission with excellent LED diffusion and impact resistance (remove without tools)

Size Options:

- Available in 2' and 4' lengths (nominal)

Listing & Ratings:

- All electrical components are U.L. listed or recognized
- All fixtures are U.L. Certified and Union made in the
- USA Meets Buy America Act (BAA), BABA Compliant

Mounting Options:

- Wall/Corner or ceiling mount

Driver:

- Universal voltage 120-277V standard
- 0-10V or Lutron dimming optional
- Custom driver tuning available for specific lumen requirements

Warranty:

- 5 years - part replacement only (see our terms & conditions page at www.lamarled.com for details)

See page 2 for lumen chart & dimensions

Ordering Guide / Example

CNLF48M-40D

CNLF				
Series	Size	Power	CCT	General Options
CNLF = Corner mount LED	24 = 2' (nominal) 48 = 4' (nominal)	L = Low M = Medium H = High	30 = 3000K 35 = 3500K 40 = 4000K 50 = 5000K	EM = Emergency pack >90 min., >500 lumens (higher output & run time available - 4ft only) - consult factory) EMB = BABA Compliant Emergency pack >90 min., >500 lumens HF = High frequency occupancy sensor on/off (internal) HFAS = User selectable 10, 20, 30 or 50% adjustable standby D = 0-10V dimming to 1% DTD = 0-10V Dim to Dark LDH = Lutron EcoSystem Hi-lume digital 1% w/Fade to Black MX1 or MX2 = 2-wire 120V or 277V 5% phase cut dimming AWN = Lutron Athena wireless node integral fixture control (RF only) AWNS = Lutron Athena wireless node integral fixture control (RF with daylight and occupancy sensing)

Consult factory for additional options not shown or listed
Daylight hold off function will be factory disabled on all bi-level models

Correlated Color Temperatures (CCTs) fall within the nominal range as per ANSI C78.377A

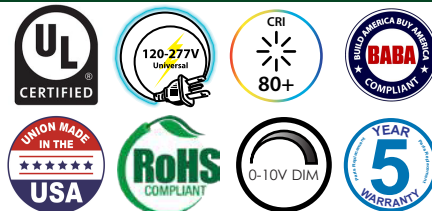
Project Information:

Job Name: _____ Fixture Type: _____

Catalog #: _____ Date: _____

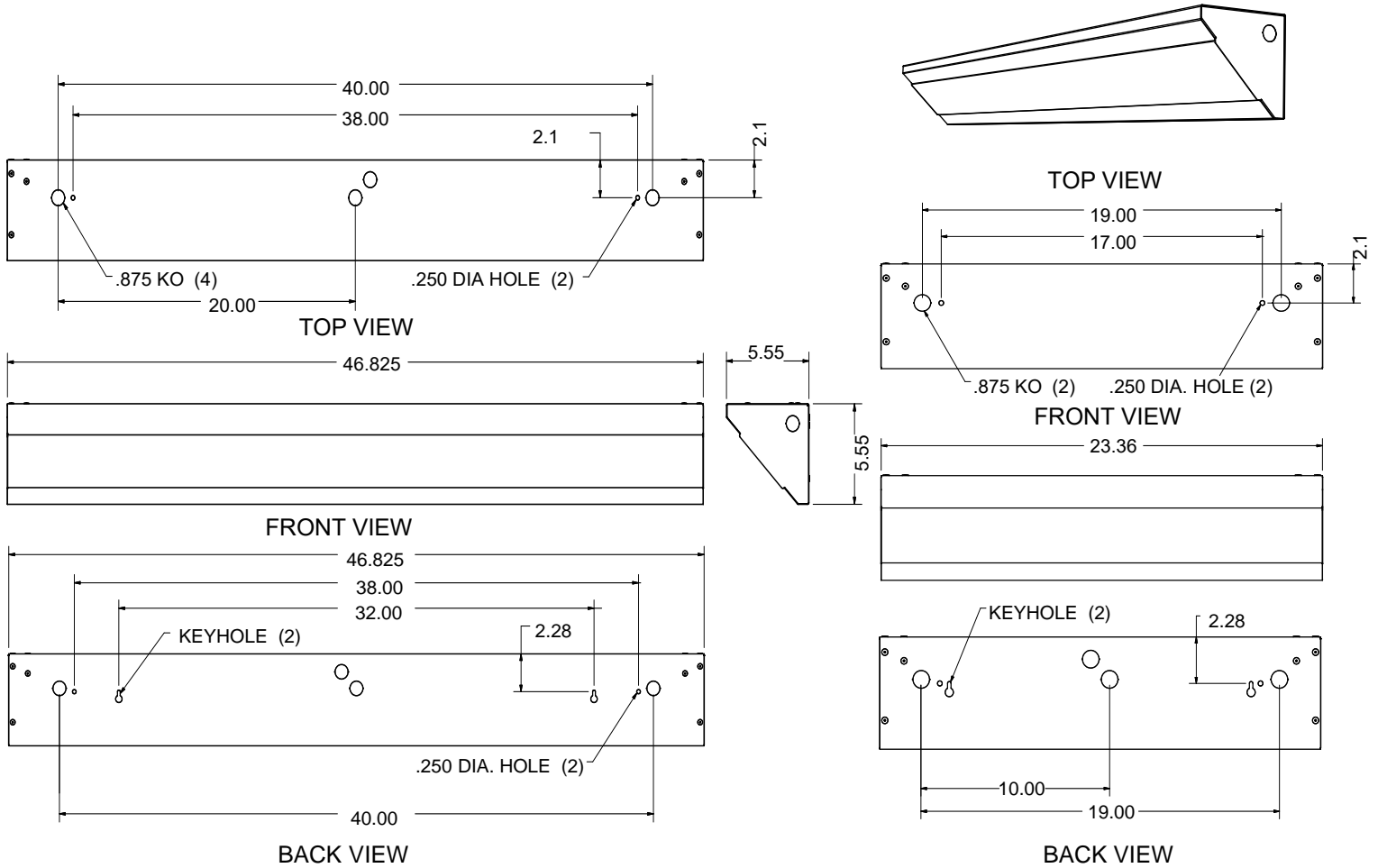
Comments: _____

Certification & Listings:



BEFORE INSTALLATION, PLEASE CONSULT YOUR LOCAL ORDINANCES AND BUILDING CODES FOR COMPLIANCE

Dimensions



Lumen/Wattage Chart - 4000K

CNLF 4'

Low	Medium	High
24W	33W	51W
2635 Lu	3444 Lu	4961 Lu

Lumen Multipliers

3000K	.95
3500K	.97
5000K	1.03

High frequency motion sensors can detect motion through many materials including glass, sheet rock walls, wood doors and the lens of a fixture, enabling the sensor to be hidden from view - consult factory to see if a HF sensor is the right fit for your application

When used in draft prone areas, fixtures with high frequency sensors should be rigidly mounted

LAMAR LED assumes no responsibility for misapplication of fixtures

Due to the rapid advancements in LED technology, please consult our website for the most current technical data.

Specifications subject to change without notice - Rev 0724