



The LWT is a backlit LED troffer that provides even illumination with no LED imaging. This series is suitable for offices and many commercial environments.

Features and Specifications:

LWT backlit LED

Construction:

- Durable steel body
- Custom designed LED system with unique optics to ensure perfect, even illumination
- Specially designed acrylic diffuser provides maximum light output and efficacy

Size Options:

- Available in 2x2 and 2x4 sizes

Listing & Ratings:

- All electrical components are U.L. listed or recognized
- All fixtures are U.L. Certified and Union made in the USA
- Meets Buy America Act (BAA), BABA Compliant

Mounting Options:

- Recessed grid mount
- Accessory Surface Mount Kit available - see back

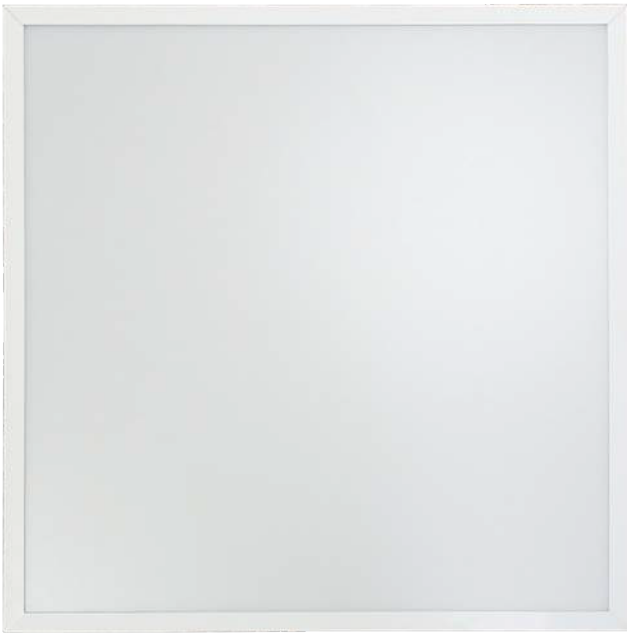
Driver:

- Universal voltage 120-277V standard
- Custom tuning for specific lumen requirements
- 0-10V or Lutron dimming optional

Warranty:

- 5 years - part replacement only (see our terms & conditions page at www.lamarled.com for details)

See page 2 for lumen chart & dimensions



Ordering Guide / Example

LWT2239L-35D

LWT				
Series	Size	Lumens	CCT	General Options
LWT = Backlit troffer	22 = 2x2 24 = 2x4	30L = 3000 Lu (2x2 only) 39L = 3900 Lu (2x2 only) 44L = 4400 Lu 50L = 5000 Lu 55L = 5500 Lu 60L = 6000 Lu 65L = 6500 Lu (2x4 only) 70L = 7000 Lu (2x4 only) 75L = 7500 Lu (2x4 only)	30 = 3000K 35 = 3500K 40 = 4000K 50 = 5000K	EM = Emergency pack >90 min., >500 lumens (higher output & run time available - consult factory) EMB = BABA Compliant Emergency pack >90 min., >500 lumens D = 0-10V dimming to 1% DTD = 0-10V Dim to Dark LDH = Lutron EcoSystem Hi-lume digital 1% w/Fade to Black MX1 or MX2 = 2-wire 120V or 277V 5% phase cut dimming Accessories FK2X2 = Flange kit (2x2) for Dry-wall installation FK2X4 = Flange kit (2x4) for Dry-wall installation

Consult factory for additional options not shown or listed
Lumen values may vary slightly by color temp and tolerances

Correlated Color Temperatures (CCTs) fall within the nominal range as per ANSI C78.377A

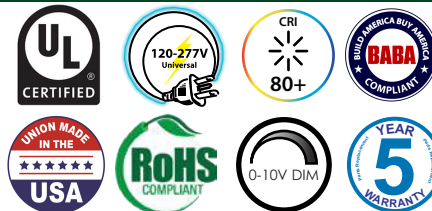
Project Information:

Job Name: _____ Fixture Type: _____

Catalog #: _____ Date: _____

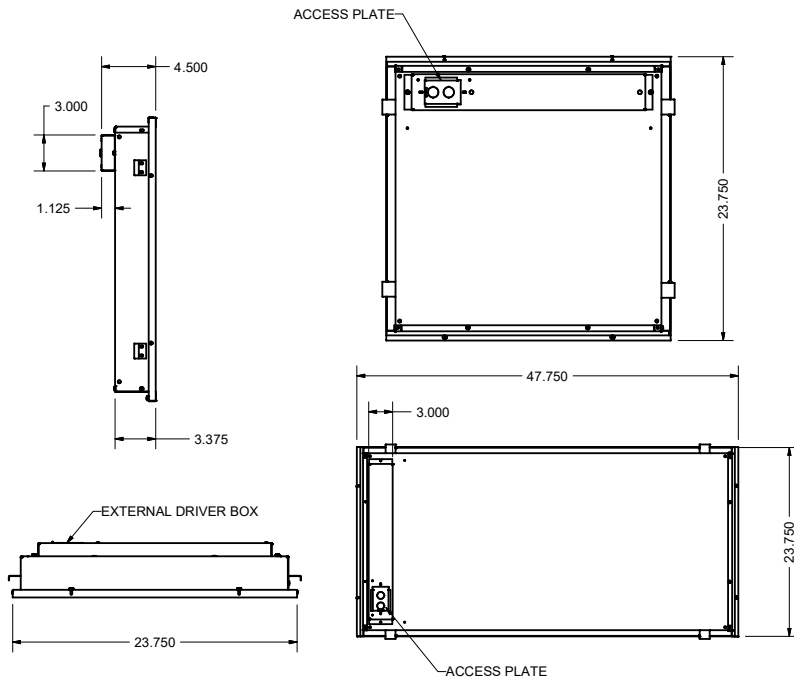
Comments: _____

Certification & Listings:

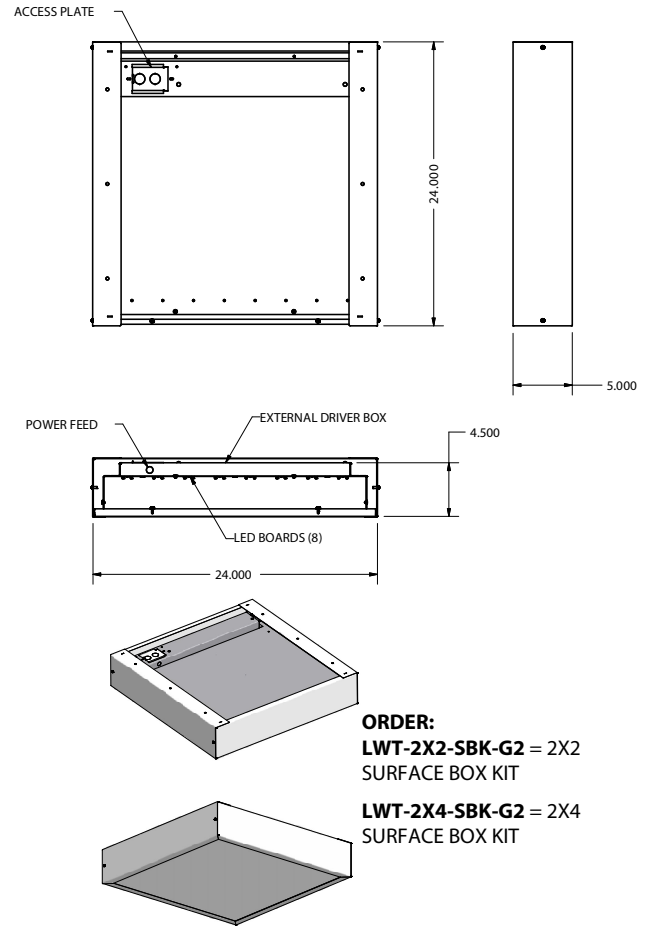


BEFORE INSTALLATION, PLEASE CONSULT YOUR LOCAL ORDINANCES AND BUILDING CODES FOR COMPLIANCE

Dimensions



ACCESSORY SURFACE MOUNT KIT



ORDER:
LWT-2X2-SBK-G2 = 2X2 SURFACE BOX KIT
LWT-2X4-SBK-G2 = 2X4 SURFACE BOX KIT

Lumen/Wattage Chart - 4000K

	2x2	2x4
30L	3045 Lu/25W	
39L	3951 Lu/33W	
44L	4400 Lu/37W	4375 Lu/35W
50L	5023 Lu/43W	4990 Lu/40.5W
55L	5494 Lu/47W	5480 Lu/44.7W
60L	6019 Lu/52W	6029 Lu/49.4W
65L		6515 Lu/53.6W
70L		6999 Lu/57.8W
75L		7482 Lu/62W

Lumen Multipliers

3000K	.95
3500K	.96
5000K	1.01