

The MCNL wall/corner mount LED luminaire is designed for spaces needing adequate illumination with limited ceiling height. It is perfect for soffits, coves, valances or backlighting.

MCNL mini corner LED



Features and Specifications:

Construction:

- Durable steel body manufactured from code gauge steel
- Linear refractive pattern for even illumination
- Frosted linear polycarbonate diffuser fully obscures LEDs (remove without tools)

Size Options:

- Available in 2', 4' and 8' lengths (nominal)

Listing & Ratings:

- All electrical components are U.L. listed or recognized
- All fixtures are U.L. Certified and Union made in the
- USA Meets Buy America Act (BAA), BABA Compliant

Mounting Options:

- Wall/Corner mount individually or in continuous rows (must specify)

Driver:

- Universal voltage 120-277V standard
- 0-10V or Lutron dimming optional
- Custom driver tuning available for specific lumen requirements

Warranty:

- 5 years - part replacement only (see our terms & conditions page at www.lamarled.com for details)

See page 2 for lumen chart & dimensions

Ordering Guide / Example

MCNL48H-50

MCNL					
Series	Size	Power	CCT	General Options	Run Configuration
MCNL = Mini corner LED	24 = 2' (nominal) 48 = 4' (nominal) 96 = 8' (nominal)	L = Low M = Medium H = High	30 = 3000K 35 = 3500K 40 = 4000K 50 = 5000K	EM = Emergency pack >90 min., >500 lumens (higher output & run time available - consult factory) EMB = BABA Compliant Emergency pack >90 min., >500 lumens HF = High frequency occupancy sensor on/off (internal) HFAS = User selectable 10, 20, 30 or 50% adjustable standby D = 0-10V dimming to 1% DTD = 0-10V Dim to Dark LDH = Lutron EcoSystem Hi-lume digital 1% w/Fade to Black MX1 or MX2 = 2-wire 120V or 277V 5% phase cut dimming	BOR = Beginning of run (1 finished end - 8' only) INT = Intermediate (0 finished ends - 8' only) EOR = End of run (1 finished end - all lengths)

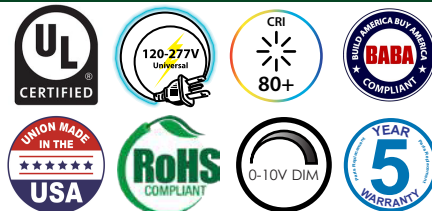
Consult factory for additional options not shown or listed
For continuous runs, please specify BOR, INT and EOR models (feed through wiring included)
Daylight hold off function will be factory disabled on all bi-level models

Correlated Color Temperatures (CCTs) fall within the nominal range as per ANSI C78.377A

Project Information:

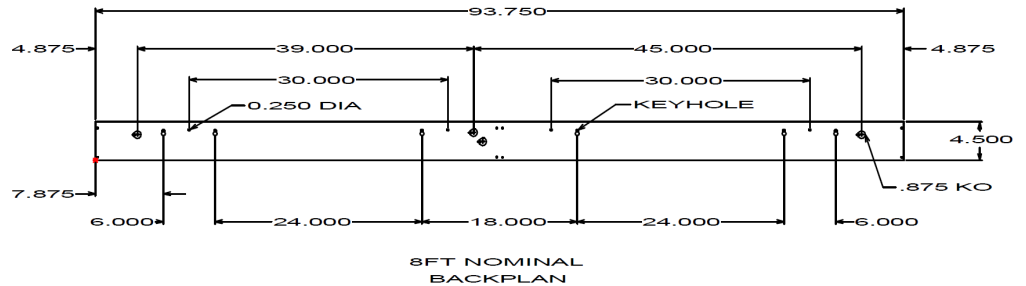
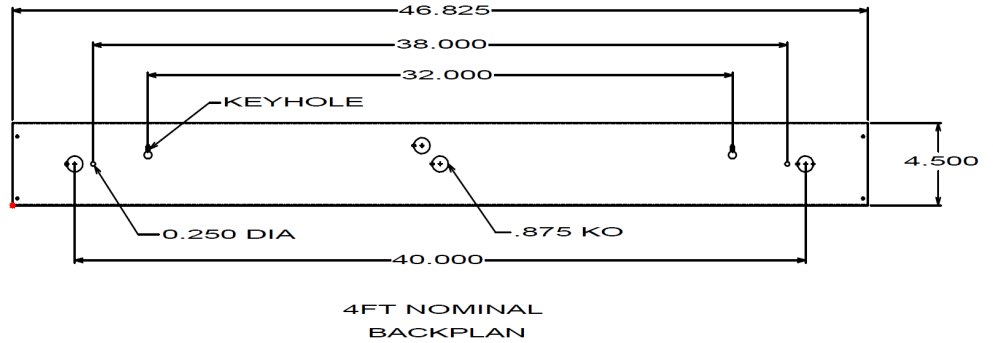
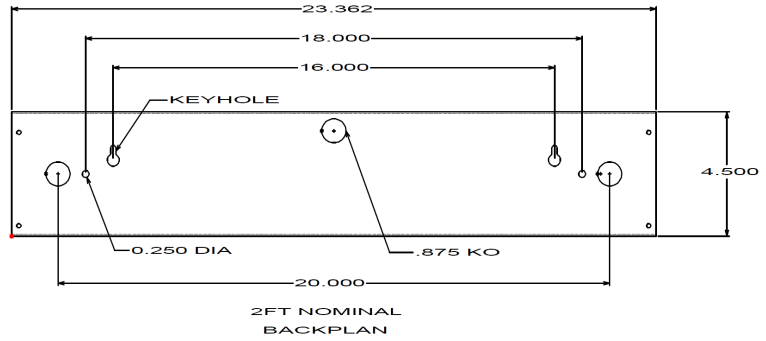
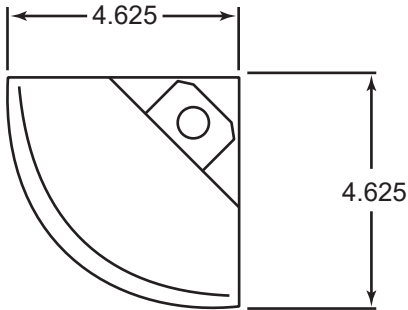
Job Name: _____ Fixture Type: _____
 Catalog #: _____ Date: _____
 Comments: _____

Certification & Listings:



BEFORE INSTALLATION, PLEASE CONSULT YOUR LOCAL ORDINANCES AND BUILDING CODES FOR COMPLIANCE

Dimensions



When used in draft prone areas, fixtures with high frequency sensors should be rigidly mounted

Lumen/Wattage Chart - 5000K

Lumen Chart 2'

5000K	Low	Med	High
	1347Lu/12W	1853Lu/17W	2267Lu/23W

Lumen Chart 4'

5000K	Low	Med	High
	2774Lu/23W	3817Lu/34W	5134Lu/46W

Lumen Multipliers

3000K	.92
3500K	.94
4000K	.97

High frequency motion sensors can detect motion through many materials including glass, sheet rock walls, wood doors and the lens of a fixture, enabling the sensor to be hidden from view - consult factory to see if a HF sensor is the right fit for your application

LAMAR LED assumes no responsibility for misapplication of fixtures

Due to the rapid advancements in LED technology, please consult our website for the most current technical data.

Specifications subject to change without notice - Rev 0724