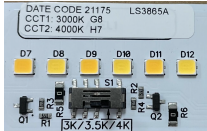




At only 2.25" wide, the NLR fits discreetly into many architectural applications. It is suitable for installations in NEMA type inverted T-bar ceilings.

NLR narrow linear recessed w/multi-color Tuning



Features and Specifications:

Construction:

- Suitable for (IC) insulated ceiling installation (low & med power only)
- Custom extruded diffuser offers high light transmission of over 85% with excellent LED diffusion
- Precision fabricated steel housings are an economic alternative to extruded aluminum
- New Multi-Color Tuning LED board arrays - Field selectable 3000K, 3500K or 4000K

Size Options:

Available in 2', 4', 6' and 8' lengths (nominal)

Listing & Ratings:

- All electrical components are U.L. listed or recognized
- All fixtures are U.L. Certified and Union made in the USA
- Meets Buy America Act (BAA, BABA Compliant)

Mounting Options:

- Recessed grid or slot grid mount

Driver:

- Universal voltage 120-277V standard
- Custom driver tuning available for specific lumen requirements
- 0-10V or Lutron dimming optional

Warranty:

- 5 years - part replacement only (see our terms & conditions page at www.lamarled.com for details)

See page 2 for lumen chart & dimensions

| Ordering Guide / Example | | NLR48M-MCT | | | |
|---|--|---|--|---|---|
| NLR | | | MCT | | |
| Series | Size | Power | CCT | General Options | Run Configuration |
| NLR = Std grid NLRSG = Slot grid | 24 = 2' nominal 48 = 4' nominal 72 = 6' nominal 96 = 8' nominal | L = Low M = Medium H = High+ | MCT = Field Selectable CCT 3000K, 3500K or 4000K | EM = Emergency pack >90 min., >500 lumens D = 0-10V dimming to 1% (standard) EMB = BABA Compliant Emergency pack >90 min., >500 lumens DTD = 0-10V Dim to Dark LDH = Lutron EcoSystem Hi-lume digital 1% w/Fade to Black MX1 or MX2 = 2-wire 120V or 277V 5% phase cut dimming | Blank = Individual BOR = Beginning of run (for 2 unit tandem run) EOR = End of run (for 2 unit tandem run) |

Consult factory for additional options not shown or listed & for continuous run ordering code

Correlated Color Temperatures (CCTs) fall within the nominal range as per ANSI C78.377A +High output not suitable for IC ceilings

Project Information:

Job Name: _____ Fixture Type: _____

Catalog #: _____ Date: _____

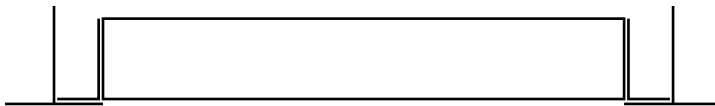
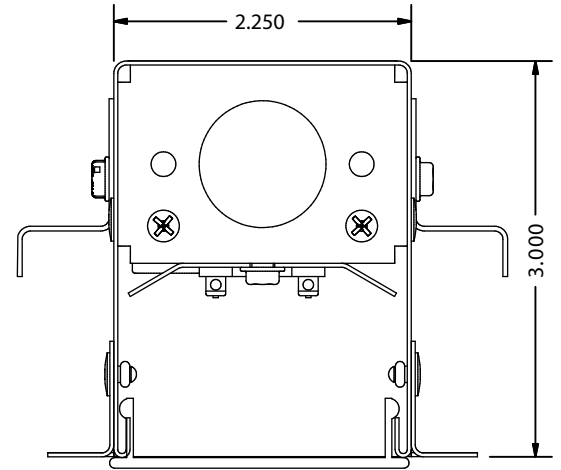
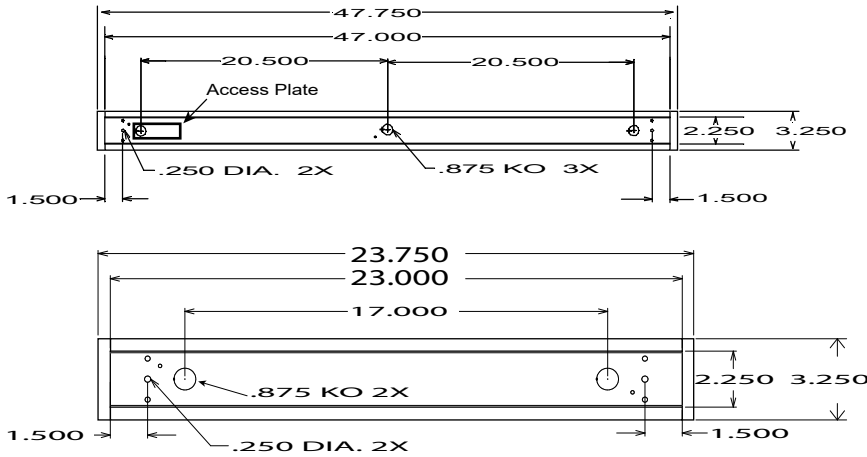
Comments: _____

Certification & Listings:



BEFORE INSTALLATION, PLEASE CONSULT YOUR LOCAL ORDINANCES AND BUILDING CODES FOR COMPLIANCE

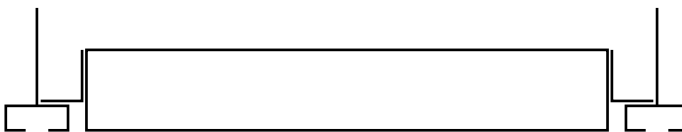
Dimensions



NLR (std grid)
Standard T-grid Ceiling



NLR (std grid)
Fine Line Ceiling



NLRSG (slot grid)
Slot Grid Ceiling

Length Chart

| Size | IND | BOR-EOR |
|------|--------|---------|
| 2' | 23.75" | 23.875" |
| 4' | 47.75" | 47.875" |
| 6' | 71.75" | 71.875" |
| 8' | 95.75" | 95.875" |

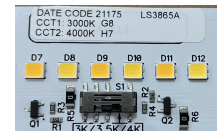
LED Lumen/Wattage Chart - 4000K

NLR 4'

| Low | Medium | High |
|---------|---------|---------|
| 24W | 33W | 40W |
| 2455 Lu | 3210 Lu | 3788 Lu |

Lumen Multipliers

| | |
|-------|------|
| 3000K | .95 |
| 3500K | .97 |
| 5000K | 1.03 |



Field adjustable CCT (Multi-Color Tuning)
Choice of 3000K, 3500K or 4000K (factory preset)
Note: Each board must be switched individually