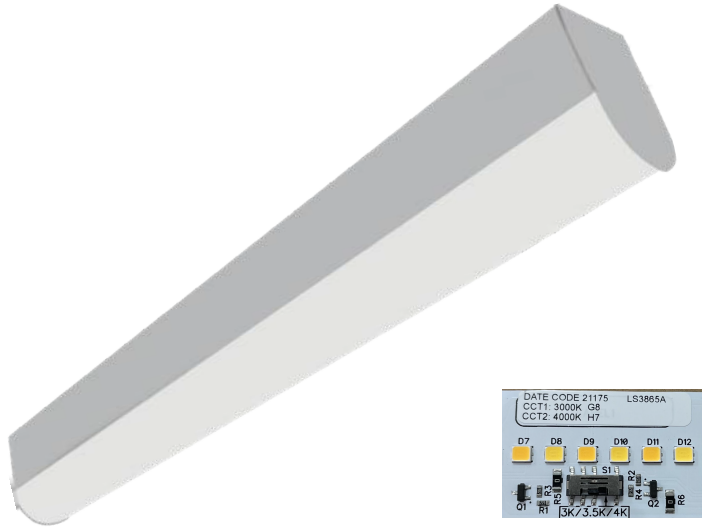




At only 2.25" wide, the NLSR fits discretely into many architectural applications. It is suitable for continuous runs and offers a clean, unbroken look.

# NLSR narrow linear direct surface/suspended w/multi-color Tuning



### Features and Specifications:

#### Construction:

- Custom extruded diffuse offers high light transmission with excellent LED diffusion
- Precision fabricated steel housings are an economic alternative to extruded aluminum
- New Multi-Color Tuning LED board arrays - Field selectable 3000K, 3500K or 4000K

#### Size Options:

- Available in 2', 4', 6' and 8' lengths (nominal)

#### Listing & Ratings:

- All electrical components are U.L. listed or recognized
- All fixtures are U.L. Certified and Union made in the USA
- Meets Buy America Act (BAA), BABA Compliant

#### Mounting Options:

- Surface or cable mount (specify "AC" when ordering)

#### Driver:

- Universal voltage 120-277V standard
- Custom driver tuning available for specific lumen requirements
- 0-10V or Lutron dimming

#### Warranty:

- 5 years - part replacement only (see our terms & conditions page at [www.lamarled.com](http://www.lamarled.com) for details)

See page 2 for lumen chart & dimensions

Ordering Guide / Example		NLSR48M-MCT-D			
NLSR			MCT		
Series	Size	Power	CCT	General Options	Run Configuration
NLSR = Narrow linear round surface/suspended	24 = 2' nominal 48 = 4' nominal 72 = 6' nominal 96 = 8' nominal	L = Low M = Medium H = High	MCT = Field Selectable CCT 3000K, 3500K or 4000K	EM = Emergency pack >90 min., >500 lumens (higher output & run time available - consult factory) EMB = BABA Compliant Emergency pack >90 min., >500 lumens BLK = Black metal construction D = 0-10V dimming to 1% (standard) DTD = 0-10V Dim to Dark LDH = Lutron EcoSystem Hi-lume digital 1% w/Fade to Black MX1 or MX2 = 2-wire 120V or 277V 5% phase cut dimming AC = 4ft aircraft cable mount	Blank = Individual BOR = Beginning of run (6' & 8' only) EOR = End of run (2'-8') INT = Intermediate (6' & 8' only)

Consult factory for additional options not shown or listed  
4ft AC cable kits and pre-wired power drop included with -AC option,  
other lengths available - consult factory  
Feed through wiring is included for continuous run models (BOR, INT and EOR)

Correlated Color Temperatures (CCTs) fall within the nominal range as per ANSI C78.377A

**Project Information:**

Job Name: \_\_\_\_\_ Fixture Type: \_\_\_\_\_

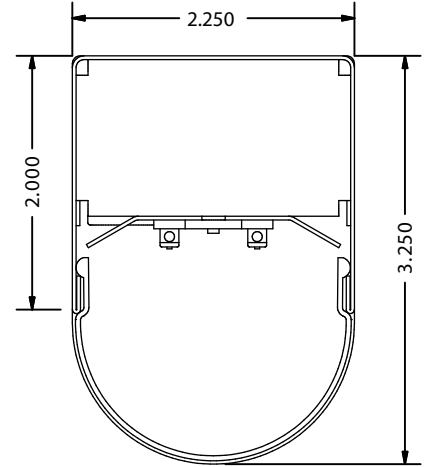
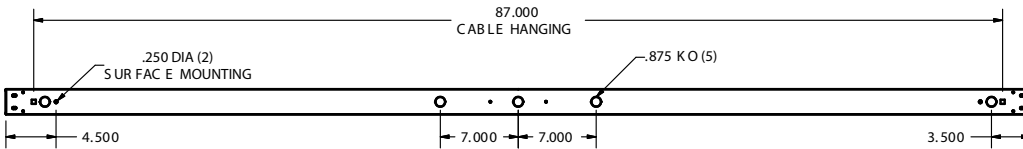
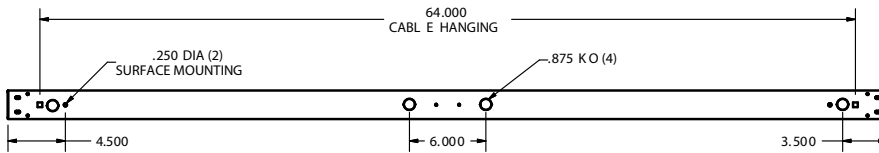
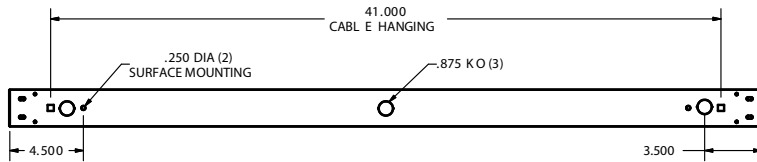
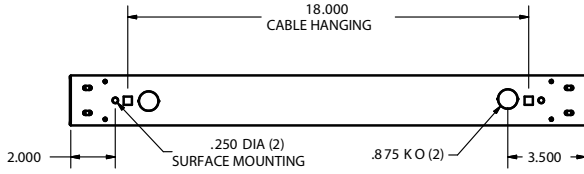
Catalog #: \_\_\_\_\_ Date: \_\_\_\_\_

Comments: \_\_\_\_\_

**Certification & Listings:**

BEFORE INSTALLATION, PLEASE CONSULT YOUR LOCAL ORDINANCES AND BUILDING CODES FOR COMPLIANCE

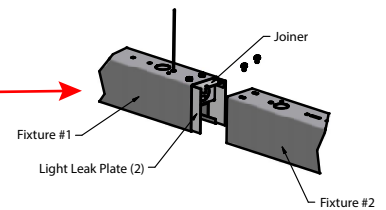
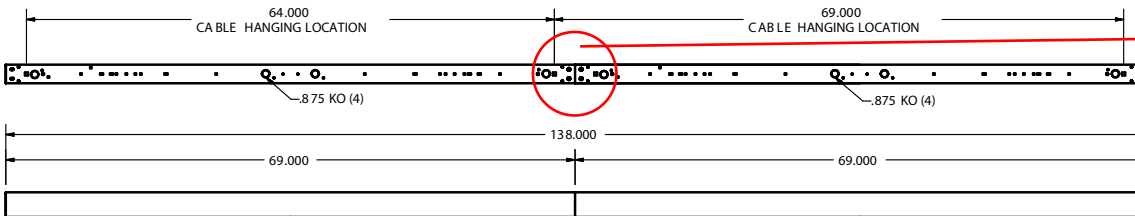
## Dimensions



## Length Chart

Size	
2'	23.125"
4'	46"
6'	69"
8'	92"

## Typical Run Configuration (12' example shown)



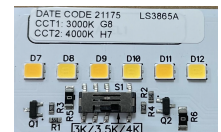
## LED Lumen/Wattage Chart - 4000K

### NLSR-MCT 4'

Low	Medium	High
24W	33W	51W
2843 Lu	3717 Lu	5343 Lu

### Lumen Multipliers

3000K	.95
3500K	.97
5000K	1.03



Field adjustable CCT (Multi-Color Tuning)  
Choice of 3000K, 3500K or 4000K (factory preset)  
**Note:** Each board must be switched individually