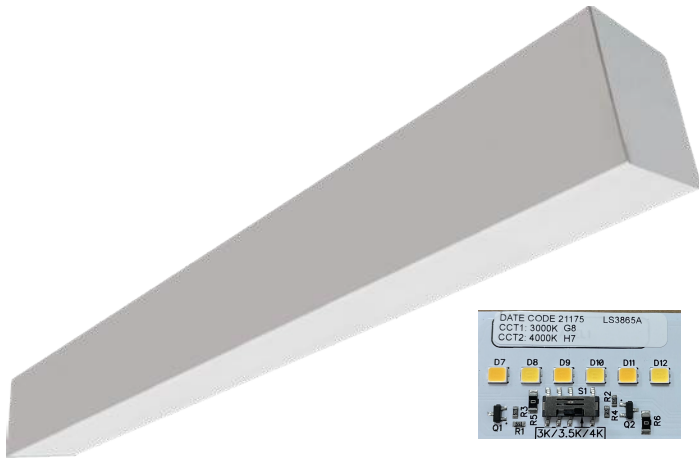




At only 2.25" wide, the NLWD fits discretely into many architectural applications. It is suitable for continuous runs and offers a clean, unbroken look.

NLWD narrow linear wall w/multi-color Tuning



Features and Specifications:

Construction:

- Custom extruded diffuser offers high light transmission with excellent LED diffusion
- Precision fabricated steel housings are an economic alternative to extruded aluminum
- New Multi-Color Tuning LED board arrays - Field selectable 3000K, 3500K or 4000K

Size Options:

- Available in 2', 4', 6' and 8' lengths (nominal)

Listing & Ratings:

- All electrical components are U.L. listed or recognized
- All fixtures are U.L. Certified and Union made in the USA
- Meets Buy America Act (BAA), BABA Compliant

Mounting Options:

- Wall mount

Driver:

- Universal voltage 120-277V standard
- Custom driver tuning available for specific lumen requirements
- 0-10V or Lutron dimming

Warranty:

- 5 years - part replacement only (see our terms & conditions page at www.lamarled.com for details)

See page 2 for lumen chart & dimensions

NLWD		MCT			
Series	Size	Power	CCT	General Options	Run Configuration
NLWD = Direct wall	24 = 2' nominal 48 = 4' nominal 72 = 6' nominal 96 = 8' nominal	L = Low M = Medium H = High	MCT = Field Selectable CCT 3000K, 3500K or 4000K	EM = Emergency pack >90 min., >500 lumens (higher output & run time available - consult factory) EMB = BABA Compliant Emergency pack >90 min., >500 lumens BLK = Black metal construction D = 0-10V dimming to 1% (standard) DTD = 0-10V Dim to Dark LDH = Lutron EcoSystem Hi-lume digital 1% w/Fade to Black MX1 or MX2 = 2-wire 120V or 277V 5% phase cut dimming	Blank = Individual BOR = Beginning of run (6' & 8' only) EOR = End of run (2'-8') INT = Intermediate (6' & 8' only)

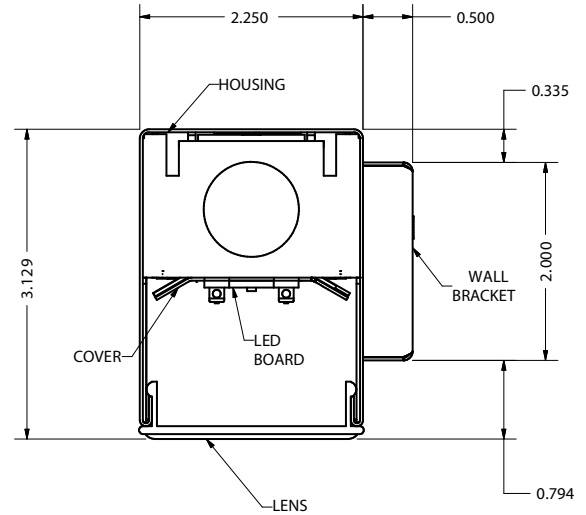
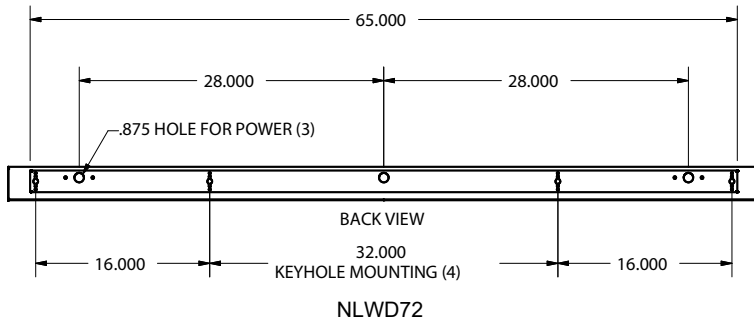
Consult factory for additional options not shown or listed
Feed through wiring is included for continuous run models (BOR, INT and EOR)

Correlated Color Temperatures (CCTs) fall within the nominal range as per ANSI C78.377A

Project Information:		Certification & Listings:	
Job Name:	Fixture Type:		
Catalog #:	Date:		
Comments:			

BEFORE INSTALLATION, PLEASE CONSULT YOUR LOCAL ORDINANCES AND BUILDING CODES FOR COMPLIANCE

Dimensions



NLWD Length Chart

Size	
2'	23.125"
4'	46"
6'	69"
8'	92"

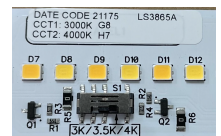
LED Lumen/Wattage Chart - 4000K

NLWD-MCT 4'

Low	Medium	High
24W	33W	52W
2455 Lu	3210 Lu	4614 Lu

Lumen Multipliers

3000K	.95
3500K	.97
5000K	1.03



Field adjustable CCT (Multi-Color Tuning)
Choice of 3000K, 3500K or 4000K (factory preset)
Note: Each board must be switched individually