



The QML series is a clean-lined, stylish LED luminaire ideal for schools, offices and other spaces. The QML offers maximum uplight with subtle downlight through a perforated metal diffuser.

# QML Quazar LED direct/indirect



## Features and Specifications:

### Construction:

- Durable steel body manufactured from code gauge steel
- Direct/Indirect wide beam perforated diffuser for uniform ceiling illumination and a glowing, low brightness luminance

### Size Options:

- Available in 4' and 8' lengths (nominal)

### Listing & Ratings:

- All electrical components are U.L. listed or recognized
- All fixtures are U.L. Certified and IBEW union made in the USA
- Meets Buy America Act (BAA), BABA Compliant

### Mounting Options:

- Cable mount individually or in continuous rows (**must specify**) Cable
- mount options to suit your application - 4ft "Y" cable kits and pre-wired power drop are included
- Feed through wiring is included for continuous runs

### Driver:

- Universal voltage 120-277V standard
- 0-10V or Lutron dimming
- Custom driver tuning available for specific lumen requirements

### Warranty:

- 5 years - part replacement only (see our terms & conditions page at [www.lamarled.com](http://www.lamarled.com) for details)

See page 2 for lumen chart & dimensions

Ordering Guide / Example

QML48MPF-40D

QRL			PF			
Series	Size	Power	Bottom Trim	CCT	General Options	Run Configuration
QML = Quazar	48 = 4ft (nominal) 96 = 8ft (nominal)	L = Low M = Medium H = High	PF = Perforated metal - white (std)	30 = 3000K 35 = 3500K 40 = 4000K 50 = 5000K	EM = Emergency pack >90 min., >500 lumens (higher output & run time available - consult factory) EMB = BABA Compliant Emergency pack >90 min., >500 lumens D = 0-10V dimming to 1% (standard) DTD = 0-10V Dim to Dark LDH = Lutron EcoSystem Hi-lume digital 1% w/Fade to Black MX1 or MX2 = 2-wire 120V or 277V 5% phase cut dimming	Blank = Individual BOR = Beginning of run (8ft only) INT = Intermediate (8ft only) EOR = End of run (4ft & 8ft only)

Correlated Color Temperatures (CCTs) fall within the nominal range as per ANSI C78.377A

Consult factory for additional options not shown or listed

Individual units are not suitable for continuous row mounting and **cannot** be field modified

For joining units together in continuous rows please specify BOR, INT and EOR models

4ft AC kits and pre-wired power drop included (standard) - consult factory for other lengths

### Project Information:

Job Name: \_\_\_\_\_ Fixture Type: \_\_\_\_\_

Catalog #: \_\_\_\_\_ Date: \_\_\_\_\_

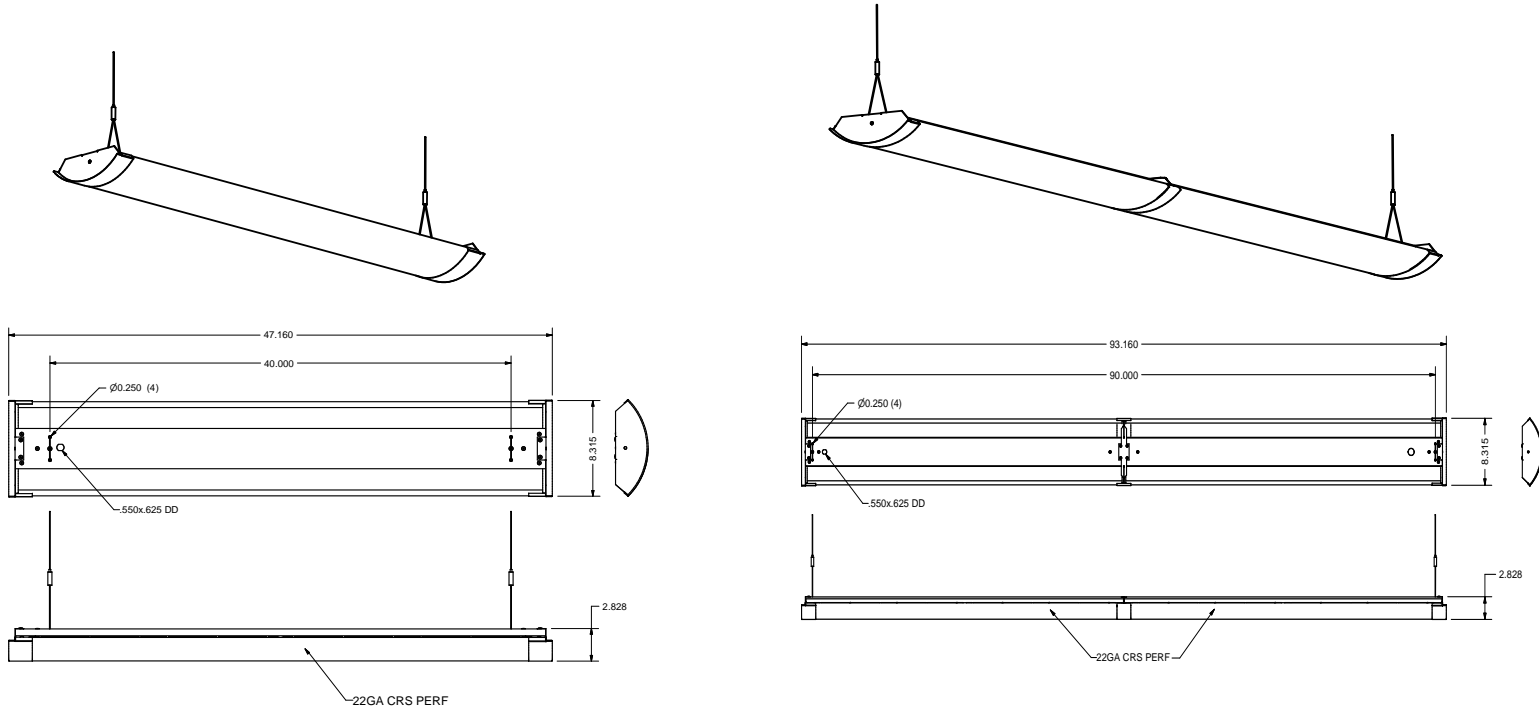
Comments: \_\_\_\_\_

### Certification & Listings:



BEFORE INSTALLATION, PLEASE CONSULT YOUR LOCAL ORDINANCES AND BUILDING CODES FOR COMPLIANCE

## Dimensions



## Lumen/Wattage Chart - 4000K

	4000K								
	4'	8'							
Low	4095 Lu / 40W	8190 Lu / 79W	<b>Lumen Multipliers</b> <table border="1"> <tr> <td>3000K</td> <td>.952</td> </tr> <tr> <td>3500K</td> <td>.968</td> </tr> <tr> <td>5000K</td> <td>1.03</td> </tr> </table>	3000K	.952	3500K	.968	5000K	1.03
3000K	.952								
3500K	.968								
5000K	1.03								
Med	5900 Lu / 62W	11,800 Lu / 124W							
High	8760 Lu / 94W	17,515 Lu / 188W							

LAMAR LED assumes no responsibility for misapplication of fixtures

Due to the rapid advancements in LED technology, please consult our website for the most current technical data.

Specifications subject to change without notice - Rev 0724