

The WELA series is a decorative all-purpose wraparound luminaire ideal for schools, hospitals, retail and commercial buildings

WELA wraparound LED



Standard Wrap Fixture

Features and Specifications:

Construction:

- Durable steel body die-formed from code gauge cold rolled steel
- One piece extruded frosted acrylic lens with a prismatic pattern on the bottom and linear refractive sides
- Lift and shift lens for easy maintenance
- Self-hinging lens hooks onto full length of housing and may hinge from either side

Size Options:

- Available in 4' length (nominal)

Listing & Ratings:

- All electrical components are U.L. listed or recognized
- All fixtures are U.L. Certified

Mounting Options:

- Surface or pendant mount

Driver:

- Universal voltage 120-277V standard (18, 28 or 44W Field adjustable)
- Field adjustable CCT (3500k-5000k) and Lumen output
- 0-10V Dimming to 1% standard

Warranty:

- 5 years - part replacement only (see our terms & conditions page at www.lamarled.com for details)

See page 2 for dimensions and performance specifications

Ordering Guide / Example

WEL48A

WEL	48	A	
Series	Size	CCT/Power	General Options
WEL = Wraparound	48 = 4' nominal	Adjustable CCT: 3500, 4000 or 5000K Adjustable power: 18, 28 or 44W	EM5 = Emergency pack >90 min., >500 lumens EM12 = Emergency pack >90 min., >1400 lumens

Consult factory for additional options not shown or listed

Correlated Color Temperatures (CCTs) fall within the nominal range as per ANSI C78.377A

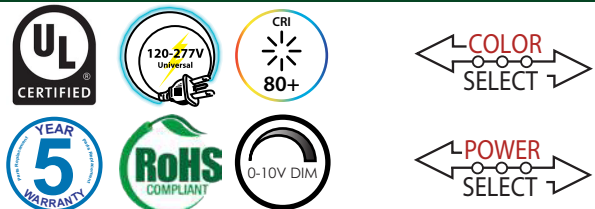
Project Information:

Job Name: _____ Fixture Type: _____

Catalog #: _____ Date: _____

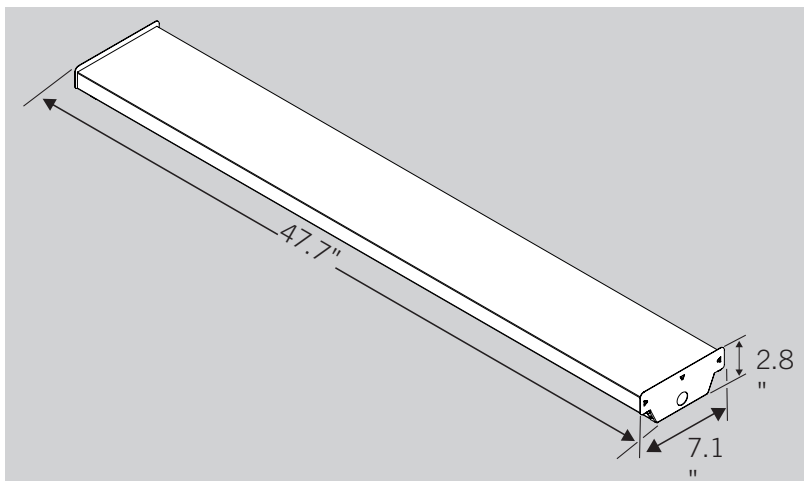
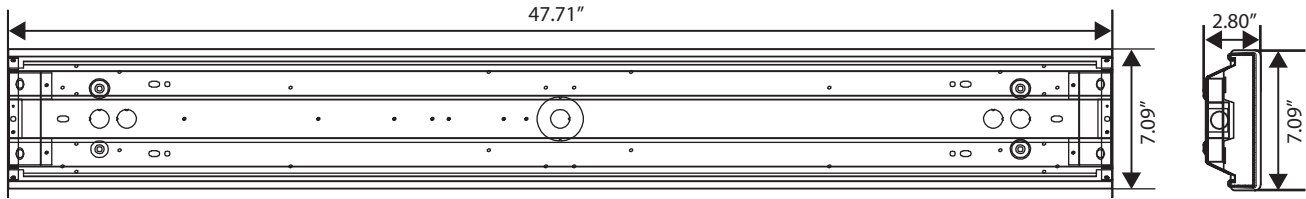
Comments: _____

Certification & Listings:



BEFORE INSTALLATION, PLEASE CONSULT YOUR LOCAL ORDINANCES AND BUILDING CODES FOR COMPLIANCE

Dimensions



Performance Specifications

Maximum Candela = 2155.8
 Located at Horizontal Angle = 0, Vertical Angle 0

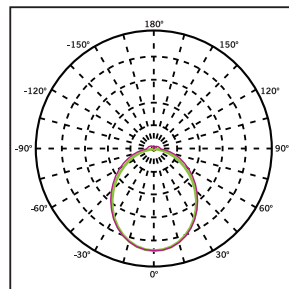
1. Violet Vertical Plane through Horizontal Angles (90-270)
2. Green Vertical Plane through Horizontal Angles (0-180)

Beam Angle: 220°

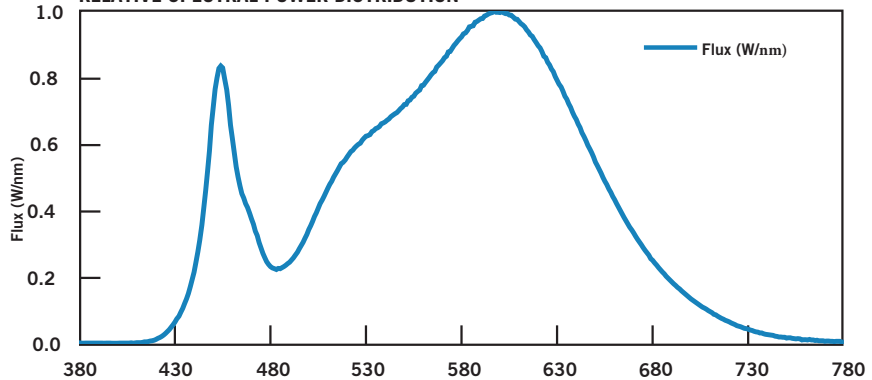
Visible Light Area: 325°

PHOTOMETRIC SPECIFICATIONS

POLAR CANDELA DISTRIBUTION



RELATIVE SPECTRAL POWER DISTRIBUTION



Catalog Number	Input Voltage	Wattage	Color Temperature	Lumen Output	Efficacy	CRI	Power Factor	Lifetime
WEL48A	120-277V	44W	3500K	5,852	133 lm/W	> 80	> 0.90	50,000hrs
			4000K	5,896	134 lm/W			
			5000K	5,940	135 lm/W			
		28W	3500K	3,948	141 lm/W			
			4000K	3,976	142 lm/W			
			5000K	4,004	143 lm/W			
		18W	3500K	2,664	148 lm/W			
			4000K	2,682	149 lm/W			
			5000K	2,700	150 lm/W			

LAMAR LED assumes no responsibility for misapplication of fixtures

Due to the rapid advancements in LED technology, please consult our website for the most current technical data.

Specifications subject to change without notice - Rev 0222