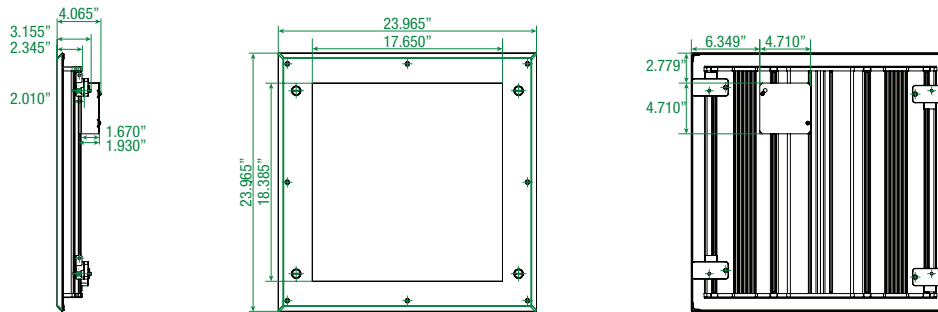


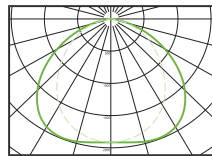


DIMENSIONAL DATA – Housing requires a ceiling cutout of 9.75" x 45.75"



PHOTOMETRICS

POLAR GRAPH



Catalog No.: CLF22-S1-C-UV
Test Number: 1219170
Lumens: 4967

RC	80		70		50		30		10		10		0			
	RW	70	50	30	10	70	50	30	10	50	30	10	50	30	10	0
0	5913	5913	5913	5913	5913	5775	5775	5775	5775	5518	5581	5518	5284	5284	5068	4967
1	5448	5230	5034	4858	5315	5118	4940	4779	4908	4762	4629	4716	4597	4488	4444	4355
2	4981	4597	4279	4011	4853	4504	4212	3964	4330	4084	3872	4169	3964	3784	4020	3597
3	4559	4061	3676	3369	4438	3984	3627	3339	3838	3532	3281	3702	3443	3224	3577	3065
4	4185	3614	3196	2877	4074	3549	3159	2857	3426	3087	2818	3312	3018	2780	3206	2639
5	3857	3241	2810	2492	3755	3186	2781	2478	3082	2725	2452	2985	2671	2426	2630	2297
6	3567	2925	2495	2186	3474	2879	2472	2176	2790	2427	2157	2708	2385	2138	2799	2200
7	3311	2658	2234	1937	3227	2618	2216	1930	2542	2180	1916	2471	2145	1902	2405	1793
8	3085	2429	2016	1733	3008	2395	2002	1728	2330	1972	1717	2269	1944	1707	2211	1604
9	2884	2062	1833	1563	2815	2203	1820	1559	2146	1796	1551	2093	1773	1543	2043	1446
10	2706	2186	1676	1420	2643	2036	1666	1417	1987	1646	1410	1941	1626	1404	1897	1313

ZONAL LUMEN SUMMARY

Zone	Lumens	%Fxt
0-40	2451	49.3 %
0-60	4147	83.5 %
0-90	4966	100.0 %
90-180	0	0%

SPECIFICATIONS

Housing: Low-profile (2.0") extruded aluminum housing with die-cast aluminum end caps. Extrusion profile produces internal heat sink and external heat fins to conduct/dissipate heat away from LED junction point to the housing exterior. Housing will support 1,000 pounds for walkable ceiling applications.

Lens Frame: One-piece, deep-draw fabricated Type 304 or Type 316 stainless steel lens frame free of surface welding. 60 degree beveled edge produces a progressive surface with the ceiling.

Optics: Edge lit LED optics. Light guide panel provides even facial illuminates and eliminates glare. Available in 4,000K, 5,000K and Red (630nm).

Electrical: 100-277 VAC integral high efficiency driver and power supply (>0.90 power factor). Dimmable (0-10V). Optional 1100 Lumens Flash 90-minute battery back-up (regular and Class I, Division 2/ Class II, Division 2).

Installation: Integral junction box with hermetically sealed wireway junction. Designed for universal installation – 2.0 T-Bar grid, modular ceiling panel (2"-3") and stick-built gypsum ceilings. Wiring and installation does not require removal of lens frame.

Listings, Ratings, Certifications and Protocols: IP66 (ISO60598); Hazardous Locations – Class I, Division 2; Class II, Division 2; NSF2 (Splash Zone); LM79; LM80. Optional MIL STD 461F.

ORDERING INFORMATION

SERIES	LIGHT ENGINE	COLOR TEMP.	VOLTAGE	HOUSING	LENS FRAME	LENS	BACKUP	OPTIONS
VLF22			UV	HAL				
VLF22=	S1=55 W/ vivaLED recessed flange or 2.0" T-bar grid 2x2	N=4,000K C=5,000K R=630nm NR=4000K/ 630nm CR=5000K/ 630nm	UV= Universal Voltage (100-277 VAC)	HAL= Extruded aluminum with die-cast end caps	LFSS304= 18-gauge Type 304 Stainless Steel LFSS316= 18-gauge Type 316 Stainless Steel	CTG= .125" Clear Tempered Glass CIA= .125" Clear Impact Acrylic	NB= No Backup IBB= Integral Battery Back-up HBB= Class I, Div 2 Battery Back-up	MS= MIL STD 461F C1D2= Class I, Div 2 C2D2= Class II, Div 2

**All lumens initial*

PROJECT INFORMATION

Project Name/Location _____

Fixture Type _____

Fixture Quantity _____

Catalog Number _____