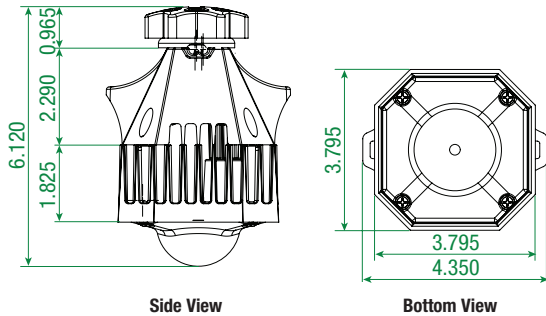


## Temporary Construction LED Lighting System – LED Modules

### FM2 – 10' spacing



#### OPTIC

900 lumens: 10' spacing for OSHA 5 fc compliance

Color Temperature: ~4000K

Lamp Life: –L70 @ 50,000 Hours

LM79, LM80

#### ELECTRICAL

Input Voltage: 21-28VDC

Input Power: 9W

#### MECHANICAL

Operating Temperature: -30 – 50°C

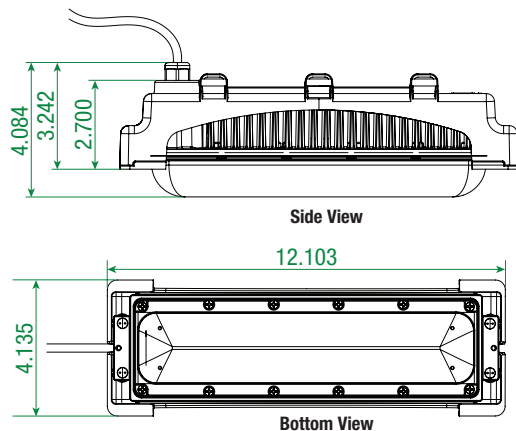
Weight: 1.3lbs

IP66

#### ACCESSORIES

FM2-10W – 10' Bus Line Extender

### FM10 – 20' spacing



#### OPTIC

3000 lumens: 20' spacing for OSHA 5 fc compliance

Color Temperature: ~5000K

Lamp Life: –L70 @ 50,000 Hours

LM79, LM80

#### ELECTRICAL

Input Voltage: 21-28VDC

Input Power: 32W

#### MECHANICAL

Operating Temperature: -30 – 50°C

Weight: 3.3lbs

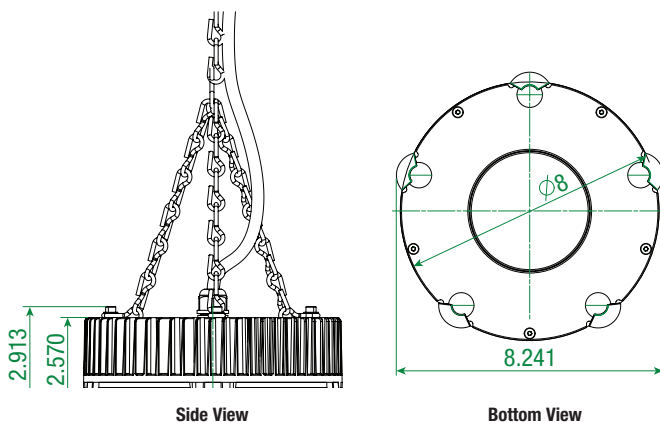
IP66

#### ACCESSORIES

FFMB – Surface Mount Bracket

FM1BR – Bridge/Shed Tamperproof Mount Bracket (not pictured)

### FM30 – 30'+ spacing



#### OPTIC

6000 lumens: 30' spacing for OSHA 5 fc compliance

Color Temperature: ~5000K

Lamp Life: –L70 @ 50,000 Hours

LM79, LM80

#### ELECTRICAL

Input Voltage: 21-28VDC

Input Power: 60W

#### MECHANICAL

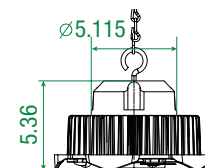
Operating Temperature: -30 – 50°C

Weight: 6lbs

IP66

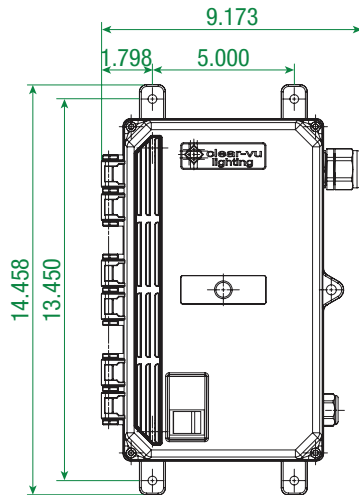
#### OPTIONS

UM30: FM 30' + Integral Power Supply Input Voltage: 90-295VAC

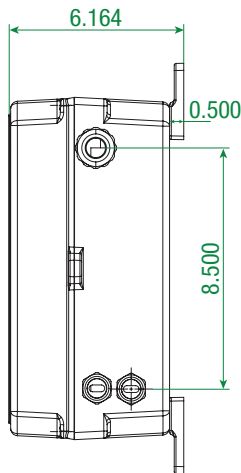


## Temporary Construction LED Lighting System – Power Supply

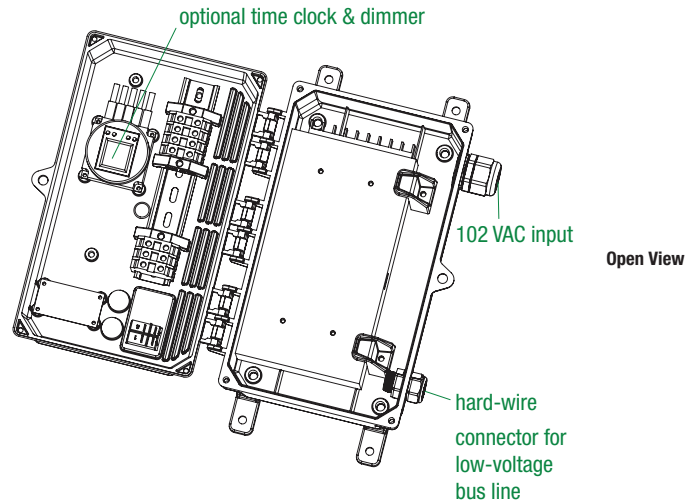
### POWER SUPPLY



Bottom View



Side View



#### SPECIFICATIONS

##### ELECTRICAL

Input Voltage: 90-132VAC or  
180 – 264VAC

Output Voltage:  
27.5VDC/18.75VDC

Power: 450W



##### MECHANICAL

Operating Temperature:  
-10 – 50°C

Weight: 7.6lbs

##### ACCESSORIES

FPS450DT – Time Clock Enables  
automatic programming for  
dimmer circuit

The FLEX SLS 2.0 is the next generation of the world’s most advanced low voltage modular lighting system comprised of LED modules and a remote power supply.

This lighting system is more energy efficient, cost-effective, and flexible than traditional temporary lighting systems including incandescent or compact fluorescent-based “stringers” and 400W metal halide fixtures. Ideal for temporary construction lighting, permanent lighting in mechanical rooms, interstitial spaces, and harsh environment applications.

- The impact resistant, IP67 rated polycarbonate module enclosure is designed to withstand extreme environmental and physical abuse.
- Modules have twist and lock connectors for ease of installation and are available with 10’ whips for ease of reconfiguration.
- Modules are powered by a 450 watt power system (95-265 VAC input/24VDC output) that is available with a dimmer and programmable clock for after-hours emergency egress lighting. The power system accommodates 45 FM2 modules, 14 FM10 modules, 6 FM30 modules, or any combination thereof.